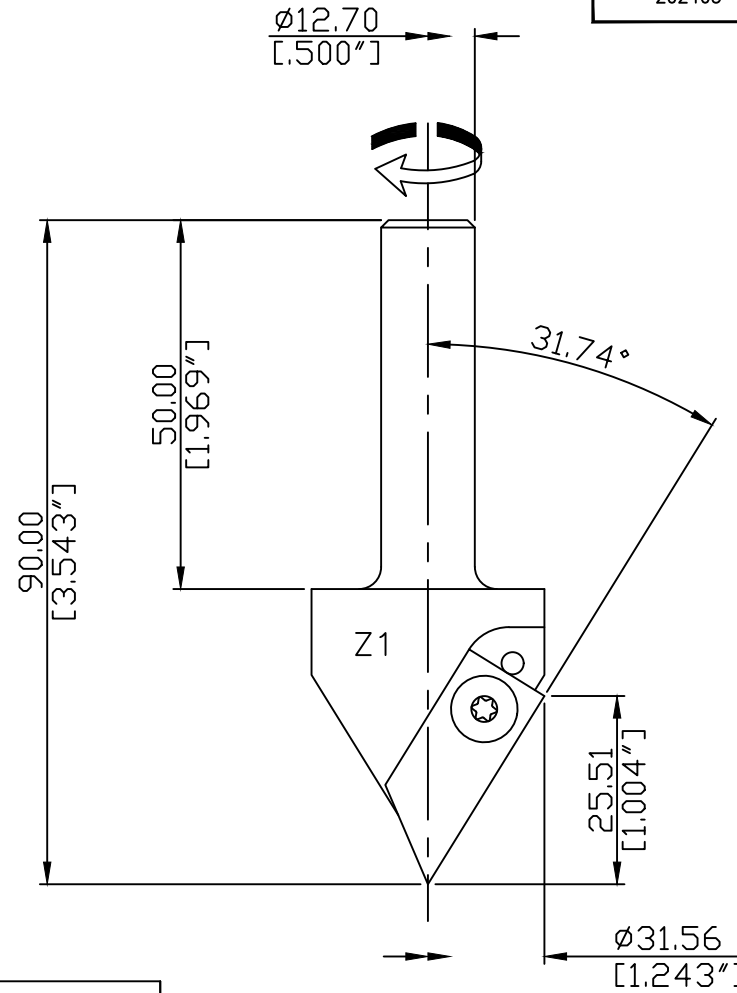


APPROVAL SIGNATURE / DATE

QUOTE No.  
202405

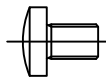
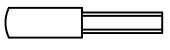
PART No.  
TOOL\_ID



TOOL\_ID  
31.5x25.5x12.7  
Z=1  
nMAX 18000

HOOK ANGLE	SHEAR ANGLE
0°	0°

KNIVES
FS021972

SCREWS	WRENCH
	
WM350-PL x1	W400405

LOCn\ENG-SRV	
SCALE NTS	TOT POS.
GROUP No. TOOL_ID	
CUSTOMER GENERAL CUTTING	

ALT	B	MATERIAL	DATE	A
DATE	SIG	BODY STEEL	May 27, 2022	
		TIP: 2022 3:35:03 PM, 1:26.0225	DRAWN LL	APPROVED xxx