

4

3

DWG NO. 360-0086

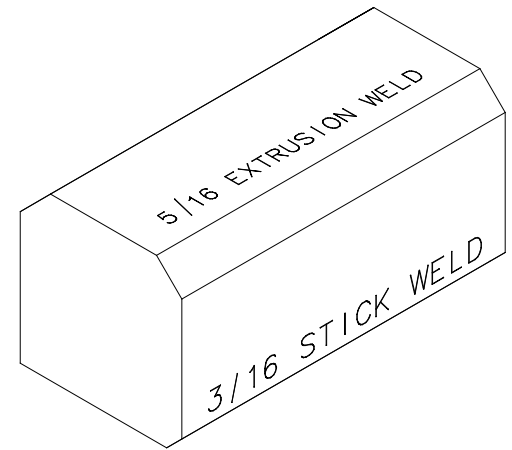
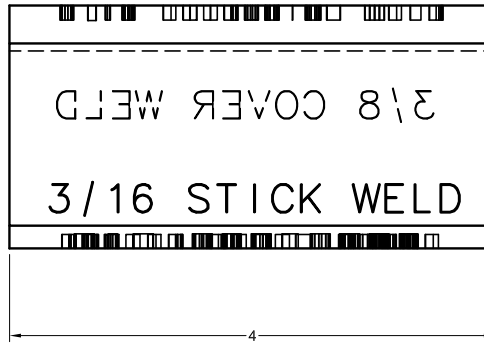
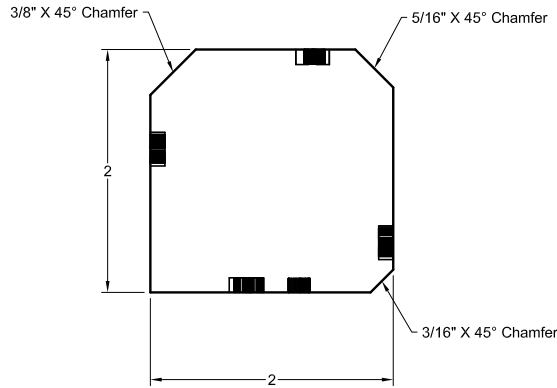
SH 1

REV

2

1

POLYTANK III



ISOMETRIC VIEW

NOTE-
MATERIAL : ALUMINIUM PLATE OR BAR

MATL
6061 ALUMINIUM PLATE
COVS
GALLONS
LITERS
IMP GALS
CALC WGT FULL (LBS.)
V 15.1

THESE DRAWINGS AND SPECIFICATIONS ARE THE EXCLUSIVE PROPERTY OF UNITED PLASTIC FABRICATING INC. ISSUED IN STRICT CONFIDENCE AND NO SHALL BE REPRODUCED IN WHOLE OR IN PART TO ANY OTHER PARTY AND THAT IF SHALL NOT BE CORRECTED IN ANY FORM WITH OUT THE WRITTEN PERMISSION OF UNITED PLASTIC FABRICATING INC. ACCEPTANCE OF THE COPY WILL BE CONSIDERED AS ACCEPTANCE OF THE FOREGOING CONDITIONS AND THAT IT IS A REGISTERED TRADEMARK OF UNITED PLASTIC FABRICATING.


TANK TO BE BUILT TO CURRENT UPF MANUFACTURING STANDARDS.

ADDITIONAL UPF STANDARDS APPLICABLE TO THIS TANK:

UNLESS OTHERWISE SPECIFIED, DIMENSIONS ARE IN INCHES
TOLERANCES ARE AT AMBIENT TEMP. AT THE TIME OF MFG.
FRACTIONS = ± 1/16 DECIMAL .XX = ± .030
DECIMAL .XXX = ± .005

DO NOT SCALE DRAWING

CONTRACT NO.	
APPROVALS	DATE
DESIGNER	Vignesh S 1/29/2020
DRAWN	
CHECKED	
APPROVAL	

		END USER
TITLE		ROUTER DEPTH GAUGE
SIZE	JOB NO.	Layout
B		
SCALE	REF NO.	DWG NO. 360-0086
1:1		
CALC WGT	ACT WGT	SHEET 1 OF 1

4

3

2

1

4

3

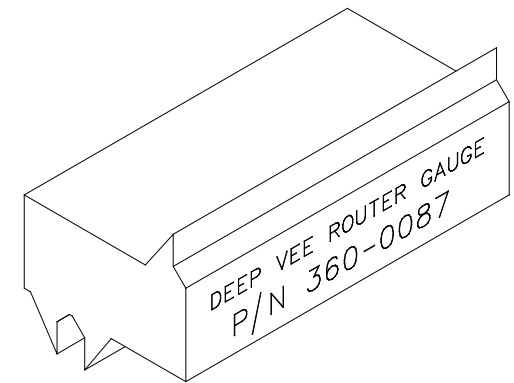
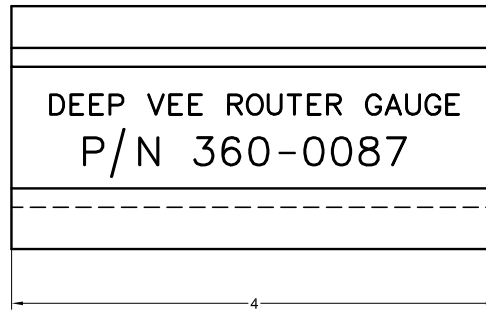
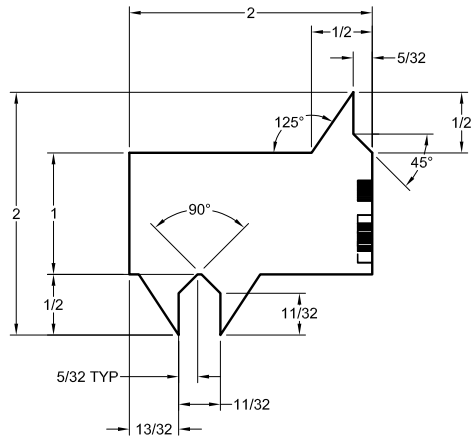
DWG NO. 360-0087

SH 1 REV

2

1

POLYTANK III



ISOMETRIC VIEW

NOTE- MATERIAL : ALUMINIUM PLATE OR BAR

MATL
6061 ALUMINIUM PLATE
COVS
GALLONS
LITERS
IMP GALS
CALC WGT FULL (LBS.)
V 15.1

THESE DRAWINGS AND SPECIFICATIONS ARE THE EXCLUSIVE PROPERTY OF UNITED PLASTIC FABRICATING INC. ISSUED IN STRICT CONFIDENCE AND NO SHALL BE REPRODUCED IN WHOLE OR IN PART TO ANY OTHER PARTY AND THAT IF SHALL NOT BE CORRECTED IN ANY FORM WITH OUT THE WRITTEN PERMISSION OF UNITED PLASTIC FABRICATING INC. ACCEPTANCE OF THIS COPY WILL BE CONSIDERED AS ACCEPTANCE OF THE FOREGOING CONDITIONS AND THAT IT IS A REGISTERED TRADEMARK OF UNITED PLASTIC FABRICATING.


TANK TO BE BUILT TO CURRENT UPF MANUFACTURING STANDARDS.

ADDITIONAL UPF STANDARDS APPLICABLE TO THIS TANK:

UNLESS OTHERWISE SPECIFIED, DIMENSIONS ARE IN INCHES
 TOLERANCES ARE AT AMBIENT TEMP. AT THE TIME OF MFG.
 FRACTIONS = ± 1/16 DECIMAL .XX = ± .030
 DECIMAL .XXX = ± .005

DO NOT SCALE DRAWING

CONTRACT NO.	
APPROVALS	DATE
DESIGNER	Vignesh S 1/29/2020
DRAWN	
CHECKED	
APPROVAL	

		END USER		
TITLE		Layout		
DEEP VEE ROUTER GAUGE				
SIZE	JOB NO.	DWG NO.	REV.	
B		360-0087		
SCALE	REF NO.	CALC WGT	ACT WGT	SHEET 1 OF 1
1:1				

4

3

2

1

4

3

DWG NO. 360-0088

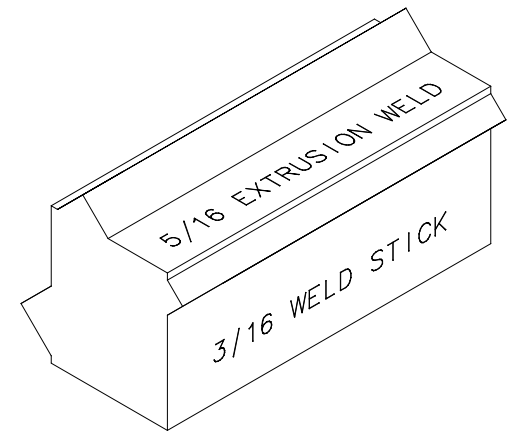
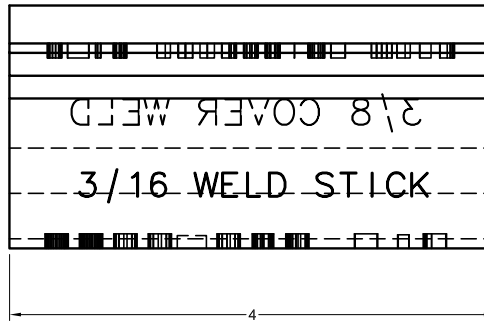
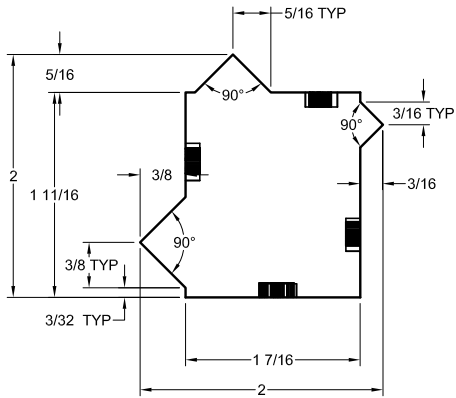
SH 1

REV

2

1

POLYTANK III



ISOMETRIC VIEW

NOTE- MATERIAL : ALUMINIUM PLATE OR BAR

MATL	6061 ALUMINIUM PLATE
COVS	
GALLONS	
LITERS	
IMP GALS	
CALC WGT FULL (LBS.)	
	V 15.1

THESE DRAWINGS AND SPECIFICATIONS ARE THE EXCLUSIVE PROPERTY OF UNITED PLASTIC FABRICATING INC. ISSUED BY FIRST COMPLETE AND NO SHALL NOT BE REPRODUCED IN WHOLE OR IN PART TO ANY OTHER PARTY AND THAT IF ANY FORM WITH OUT THE WRITTEN PERMISSION OF UNITED PLASTIC FABRICATING, ACCEPTANCE OF THE COPY WILL BE CONSIDERED AS ACCEPTANCE OF THE FOREGOING CONDITIONS. POLYTANK III A REGISTERED TRADEMARK OF UNITED PLASTIC FABRICATING.


TANK TO BE BUILT TO CURRENT UPF MANUFACTURING STANDARDS.

ADDITIONAL UPF STANDARDS APPLICABLE TO THIS TANK:

UNLESS OTHERWISE SPECIFIED, DIMENSIONS ARE IN INCHES
TOLERANCES ARE AT AMBIENT TEMP. AT THE TIME OF MFG.
FRACTIONS = ± 1/16 DECIMAL .XX = ± .030
DECIMAL .XXX = ± .005

DO NOT SCALE DRAWING

CONTRACT NO.	
APPROVALS	DATE
DESIGNER	Vignesh S 1/29/2020
DRAWN	
CHECKED	
APPROVAL	

		END USER
<p align="center">VEE GROOVE DEPTH GAUGE</p>		
SIZE	JOB NO.	Layout
B		360-0088
SCALE	REF NO.	CALC WGT
1:1		ACT WGT
SHEET 1 OF 1		

4

3

2

1