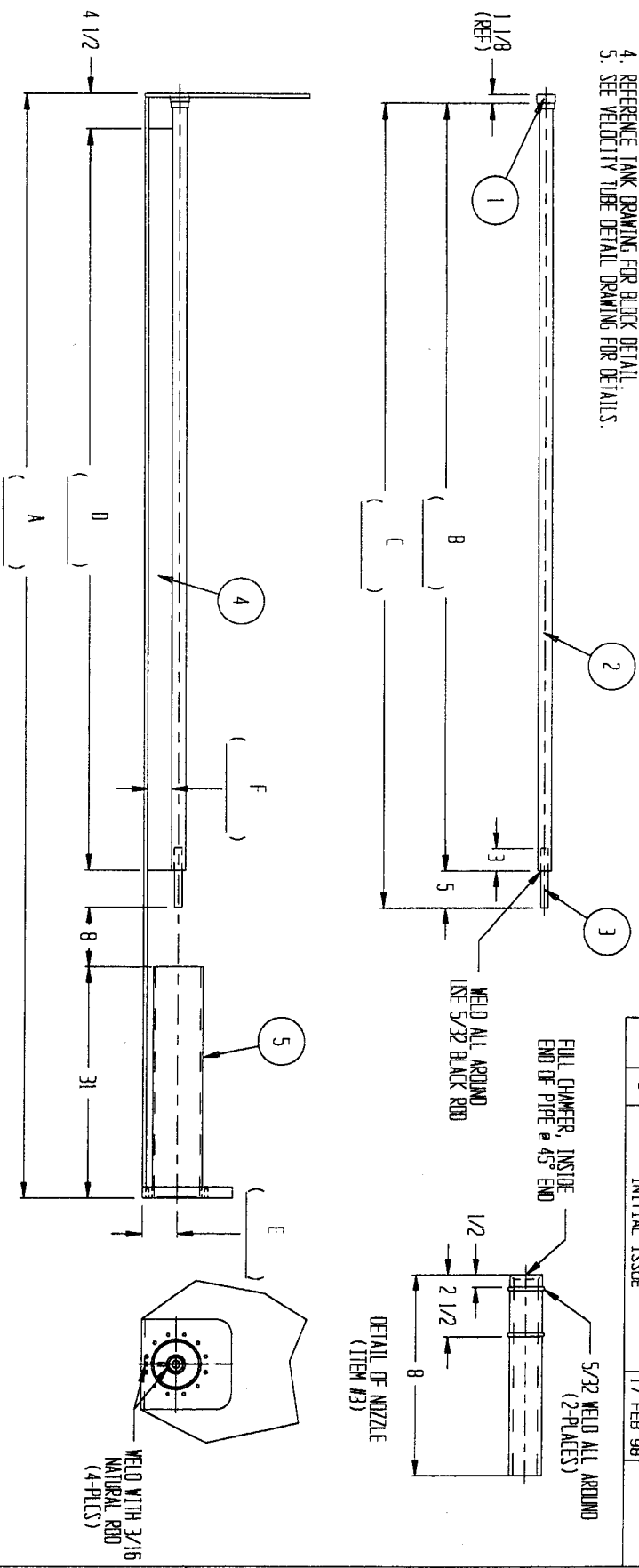


- NOTES: 1. NOZZLE MUST BE ALIGNED WITH CENTER OF VELOCITY TUBE.  
 2. SCRAPE WELDS AROUND ITEM #3 UNTIL IT FITS SNUGLY INTO ITEM #2.  
 3. SEE TANK PRINT FOR DUMP PIPE AND JET LINE INLET LOCATION.  
 4. REFERENCE TANK DRAWING FOR BLOCK DETAIL.  
 5. SEE VELOCITY TUBE DETAIL DRAWING FOR DETAILS.



- A = TANK BASE LENGTH
- B = A - 45 1/8
- C = B + 5
- D = B - 3 1/2
- E = DUMP CENTER FROM FLOOR (SEE TANK PRINT)
- F = E - 1 7/16

THESE DIMENSIONS AND SPECIFICATIONS ARE THE EXCLUSIVE PROPERTY OF UNITED PLASTIC FABRICATING, INC. SMALL WELDS ARE EXCLUDED IN WELDS FOR ITEM #3. ALL DIMENSIONS ARE TO CENTER UNLESS OTHERWISE SPECIFIED. WITHOUT THE RUBBER MATTER PERMISSION OF UNITED PLASTIC FABRICATING, INC. NO DIMENSIONS OR MATERIALS WILL BE REPRODUCED OR USED IN ANY MANNER WITHOUT THE WRITTEN PERMISSION OF UNITED PLASTIC FABRICATING, INC. A REPRODUCED DIMENSION IS UNDESIRABLE.

REV	DATE	BY	DESCRIPTION

DATE	BY	DESCRIPTION
17 FEB 98		

ITEM #	PART NUMBER	DESCRIPTION	QTY	UOM
1	180-0000	ADAPTER, FUSION - 1 1/2" NPT X 1 1/2" PIPE	1	EA
2	140-001-011	PIPE, P.P. - 1 1/2" SCH 80	AS REQD	LN
3	140-001-008	PIPE, P.P. - 1" SCH 80	8	LN
4	121-001-013	SHEET, 1/2" PIPE - NATURAL	30.75	LN
5	140-001-005	PIPE, P.P. - 6" SCH 40	AS REQD	LN
6	140-001-005	BLOCK, DUMP (SEE TANK PRINT)	1	EA

UNITED PLASTIC FABRICATING, INC. 980-0023 1 OF 2

INSTALLATION, JET DUMP WITH VELOCITY TUBE (6" W/ 1 1/2" JET)

DATE: 17 FEB 98

BY: [Signature]

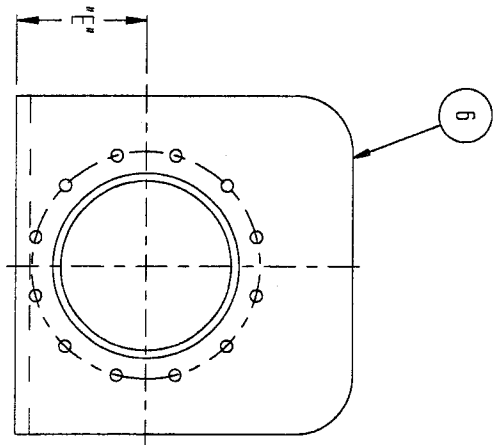
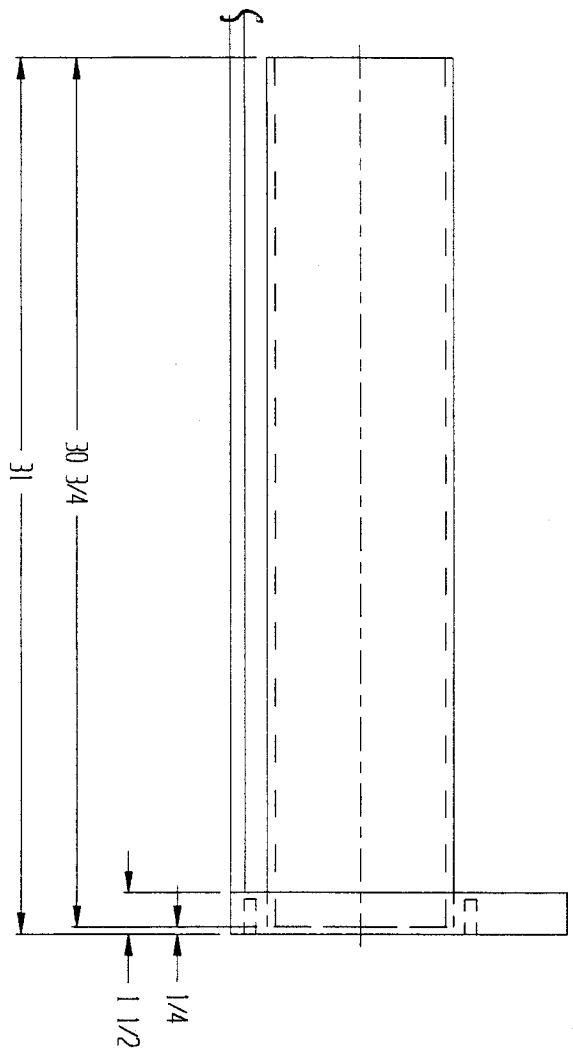
DESCRIPTION: INITIAL ISSUE

DATE: 17 FEB 98

BY: [Signature]

DESCRIPTION: INITIAL ISSUE

DATE	BY	DESCRIPTION	DATE	APPROVED
-	-	INITIAL ISSUE	17 FEB 98	



THESE DIMENSIONS AND SPECIFICATIONS ARE THE EXCLUSIVE PROPERTY OF UNITED PLASTIC FABRICATING, INC. AND SHALL BE ENCLOSED IN WRITING TO ANY OTHER PARTY AND THAT IT SHALL NOT BE COPIED IN ANY FORM WITHOUT THE PRIOR WRITTEN PERMISSION OF UNITED PLASTIC FABRICATING, INC. ANY REPRODUCTION OF THIS DRAWING IN ANY FORM OR BY ANY MEANS WITHOUT THE WRITTEN PERMISSION OF UNITED PLASTIC FABRICATING, INC. IS PROHIBITED.

DATE	BY	DESCRIPTION	DATE	APPROVED
17 FEB 98	E. BEITH	DESIGN		
17 FEB 98	W. C. WILSON	CHECKED		

UNIT NO.	PROJECT NO.	DATE	BY	DESCRIPTION
980-0023	2 OF 2	17 FEB 98	E. BEITH	DESIGN
		17 FEB 98	W. C. WILSON	CHECKED

**UPF UNITED PLASTIC FABRICATING, INC.**  
 INSTALLATION, JET DUMP WITH VELOCITY TUBE  
 (6" W/ 1 1/2" JET)